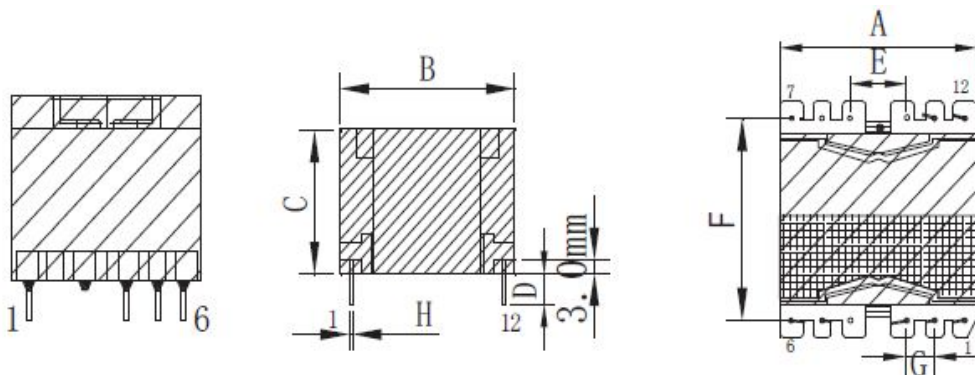


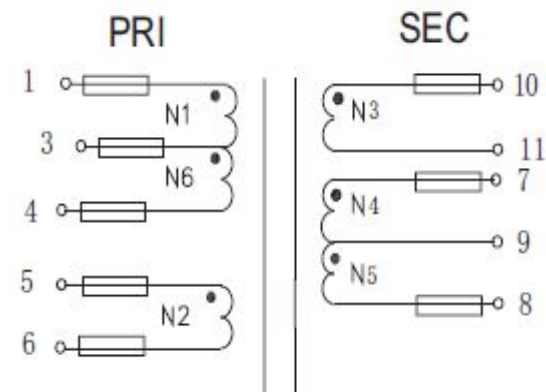
CUSTOMER TERMINAL	ROHS	Lead(Pb)-free
	YES	YES

1. Mechanical Dimensions



A	28.6	MAX
B	30.5	MAX
C	23.5	MAX
D	3.5	±0.5
E	7.6	±0.3
F	25.4	±0.4
G	3.8	±0.3
H	0.60	±0.1

2. Schematic Diagram



3. Material List

Core:FW95 PQ2620

Bobbin:FWB2601(6+6PIN)

Wire:2UEW TIW

Operating Temperature: -30 to115 °C

4. Electrical Specification

Inductance: L(4-1):0.9mH±5% 60KHZ , 1V

Leakage Inductance : 11uH MAX 60KHZ , 1V

DCR:(4-1)=0.55ΩMAX (7-8)=0.1476ΩMAX

Hi-Pot:P-S: AC 60Hz 4000V 2.0mA 3S

P-CORE: AC 60Hz 500V 2.0mA 3S

REV.	DATE	<p>Convention Placement</p>	DRW.	Drawing Title: TRANSFORMER	Part No: FWPTPQ2620V901J-1
0	00/00		CHK.		
			APP.		
ROHS		www.ferriwo.com		Customer P/N	Specification Sheet 1of 1